



Motion Picture & Television Equipment

JIB ARMS

The Model 20, 21 and 22 jib arms can be used on all J.L. Fisher camera dollies. The Model 23 can be used on the Model 9 and 10 camera dollies with a center mount. They are smooth, quiet and easy to set up, with the J.L. Fisher reputation for being well constructed and easily maintained. All jib arms come complete with weight carts, leveling offsets and angle plates.



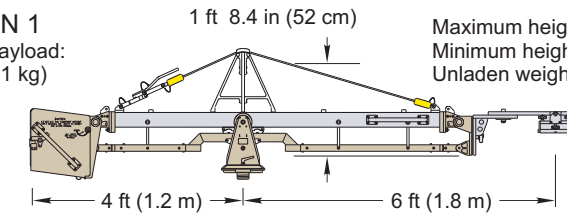
Engineered and handcrafted to be the most reliable Jib Arms available, they have the lowest maintenance of any Jib Arm. Grips and rental houses appreciate their outstanding dependability and ease of use... just ask them.

SPECIFICATIONS

Model 23

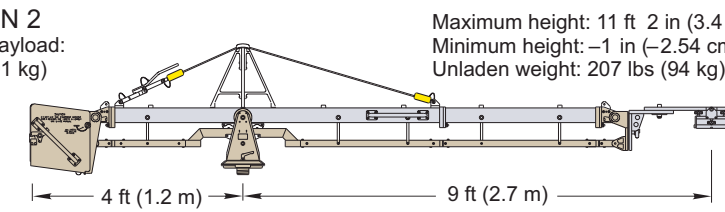
BUILD IT OUT TO THE LENGTH YOU NEED

VERSION 1
Maximum payload:
200 lbs (91 kg)



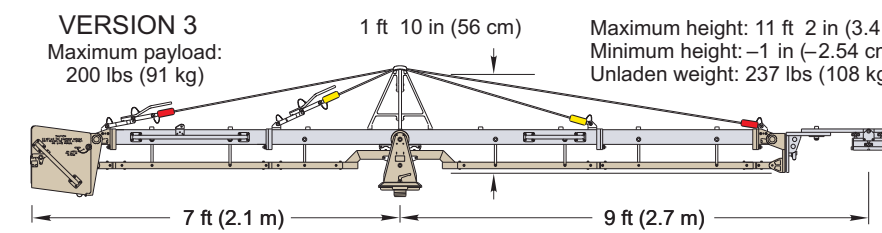
Maximum height: 8 ft 9 in (2.7 m)
Minimum height: 2 ft 3 in (69 cm)
Unladen weight: 186 lbs (85 kg)

VERSION 2
Maximum payload:
200 lbs (91 kg)



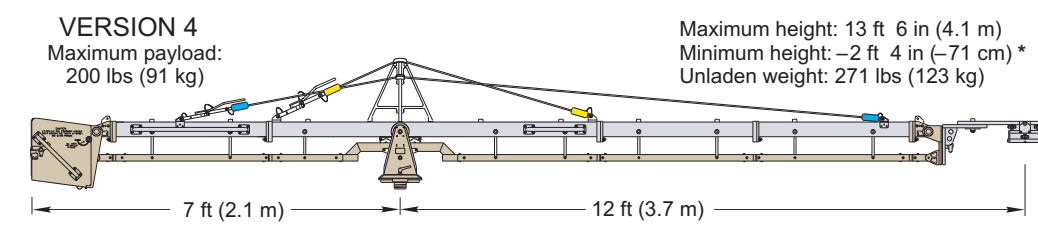
Maximum height: 11 ft 2 in (3.4 m)
Minimum height: -1 in (-2.54 cm)*
Unladen weight: 207 lbs (94 kg)

VERSION 3
Maximum payload:
200 lbs (91 kg)



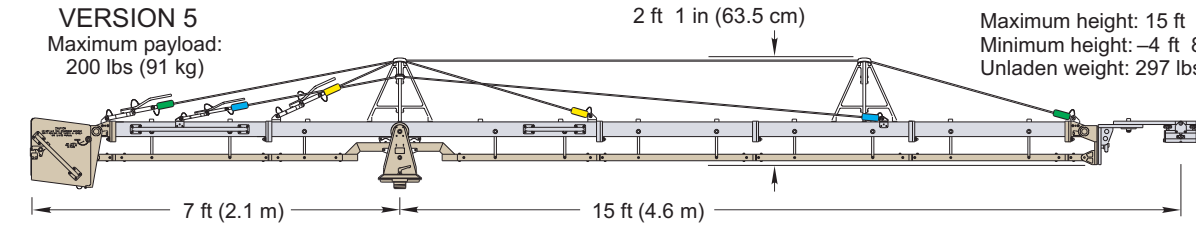
Maximum height: 11 ft 2 in (3.4 m)
Minimum height: -1 in (-2.54 cm)*
Unladen weight: 237 lbs (108 kg)

VERSION 4
Maximum payload:
200 lbs (91 kg)



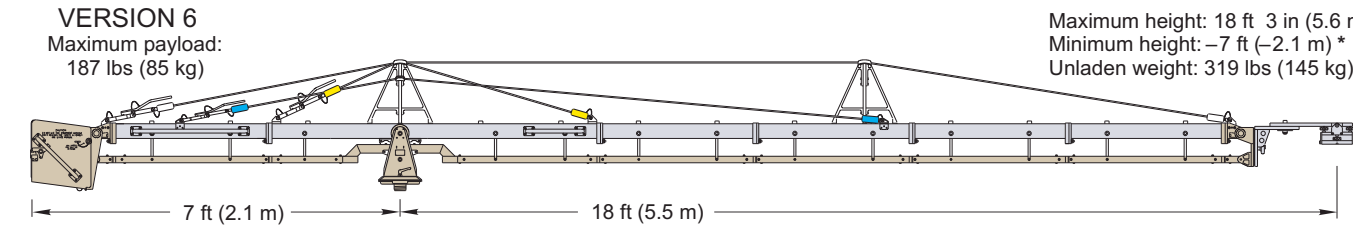
Maximum height: 13 ft 6 in (4.1 m)
Minimum height: -2 ft 4 in (-71 cm)*
Unladen weight: 271 lbs (123 kg)

VERSION 5
Maximum payload:
200 lbs (91 kg)



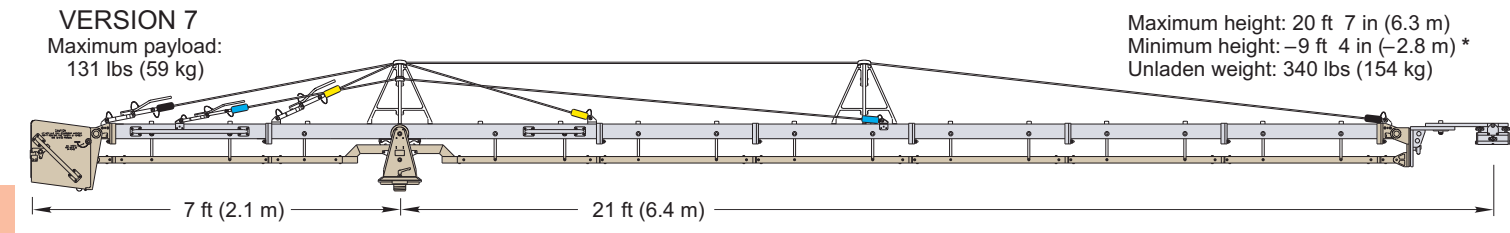
Maximum height: 15 ft 10 in (4.8 m)
Minimum height: -4 ft 8 in (-1.4 m)*
Unladen weight: 297 lbs (135 kg)

VERSION 6
Maximum payload:
187 lbs (85 kg)



Maximum height: 18 ft 3 in (5.6 m)
Minimum height: -7 ft (-2.1 m)*
Unladen weight: 319 lbs (145 kg)

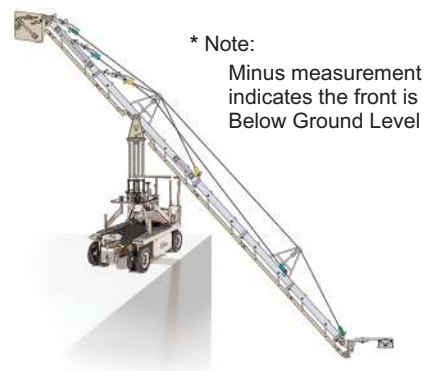
VERSION 7
Maximum payload:
131 lbs (59 kg)



Maximum height: 20 ft 7 in (6.3 m)
Minimum height: -9 ft 4 in (-2.8 m)*
Unladen weight: 340 lbs (154 kg)



Two experienced grips can assemble this jib to its full length in 10 minutes



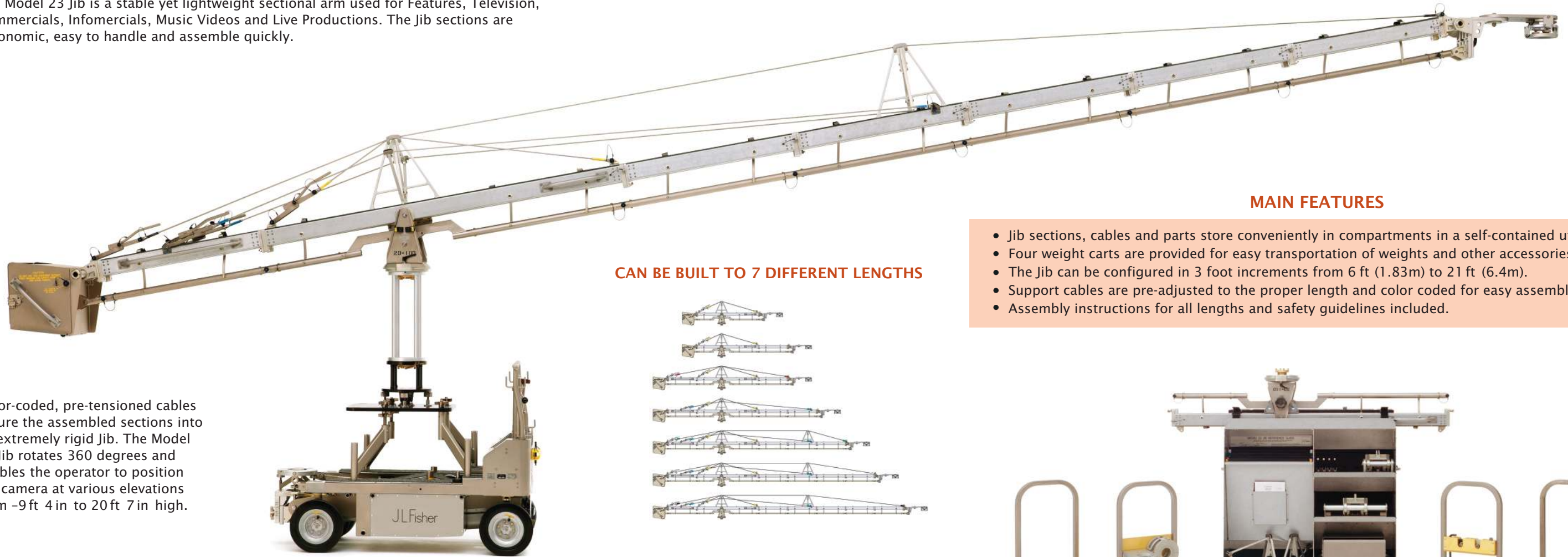
* Note:
Minus measurement indicates the front is Below Ground Level

The Model 23 is for use only with Model 9 & 10 Dollies with Center Mount and 18in HD Riser. Not for use with Model 11 Dolly.

Model 23 Sectional Jib Reach: from 6 feet to 21 feet (1.8 m to 6.4 m)

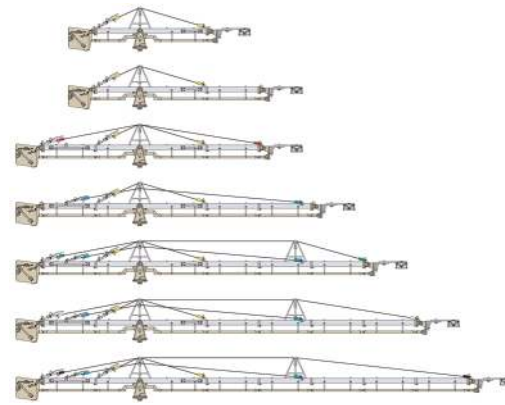
21 FEET... IN 10 MINUTES

The Model 23 Jib is a stable yet lightweight sectional arm used for Features, Television, Commercials, Infomercials, Music Videos and Live Productions. The Jib sections are ergonomic, easy to handle and assemble quickly.



Color-coded, pre-tensioned cables secure the assembled sections into an extremely rigid jib. The Model 23 Jib rotates 360 degrees and enables the operator to position the camera at various elevations from -9ft 4 in to 20ft 7 in high.

CAN BE BUILT TO 7 DIFFERENT LENGTHS



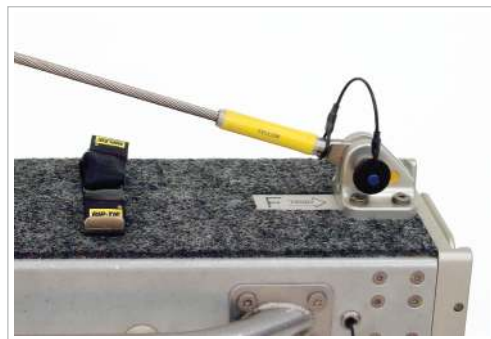
MAIN FEATURES

- Jib sections, cables and parts store conveniently in compartments in a self-contained utility cart.
- Four weight carts are provided for easy transportation of weights and other accessories.
- The Jib can be configured in 3 foot increments from 6 ft (1.83m) to 21 ft (6.4m).
- Support cables are pre-adjusted to the proper length and color coded for easy assembly.
- Assembly instructions for all lengths and safety guidelines included.

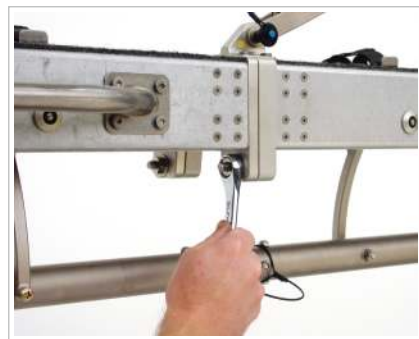
The Model 23 is for use only with Model 9 & 10 Dollies with Center Mount and 18 in HD Riser. **Not for use with Model 11 Dolly.**



UTILITY CART, WEIGHTS AND WEIGHT CARTS



All cables are color coded



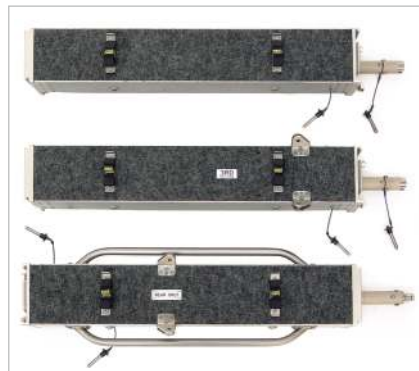
Sections locked with flange nuts & pins



Installing the 4-way Leveling Offset



Locking pins secure all lower links



The Model 23 is built in 3 foot sections



Tensioning the cables

USING THE CENTER MOUNT

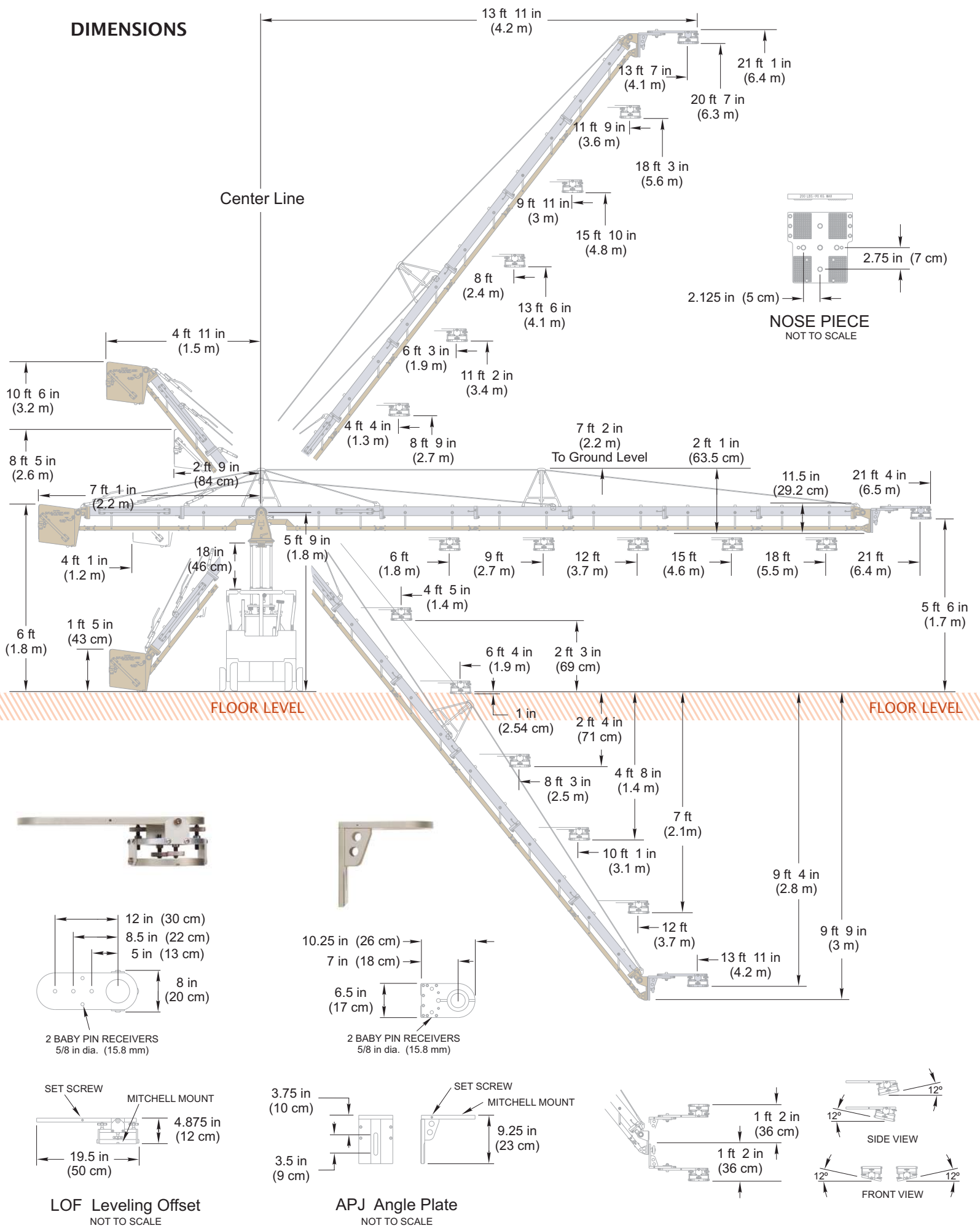
The Center Mount (CM) is designed to support J.L. Fisher jib arms only. Please call us to inquire about other applications. The Center Mount has a four-way leveling adjustment and a leveling indicator. Easily installed, the Center Mount has a standard Mitchell mount and comes with a heavy duty 12-inch Riser (RJ12) for use with our Model 20, 21 and 22 jib arms. The Model 23 jib arm requires the 18in heavy duty riser, R18.

The maximum gross load capacity is 1200 pounds (544 kg) when used on the Model 9 or Model 10 Dollies. The Model 11 Dolly has a maximum gross load capacity of 900 pounds (408 kg). *When using the Center Mount on the Model 11, this 900 pound (408 kg) limit must not be exceeded.* The Center Mount is not for supporting personnel or personnel carrying cranes.

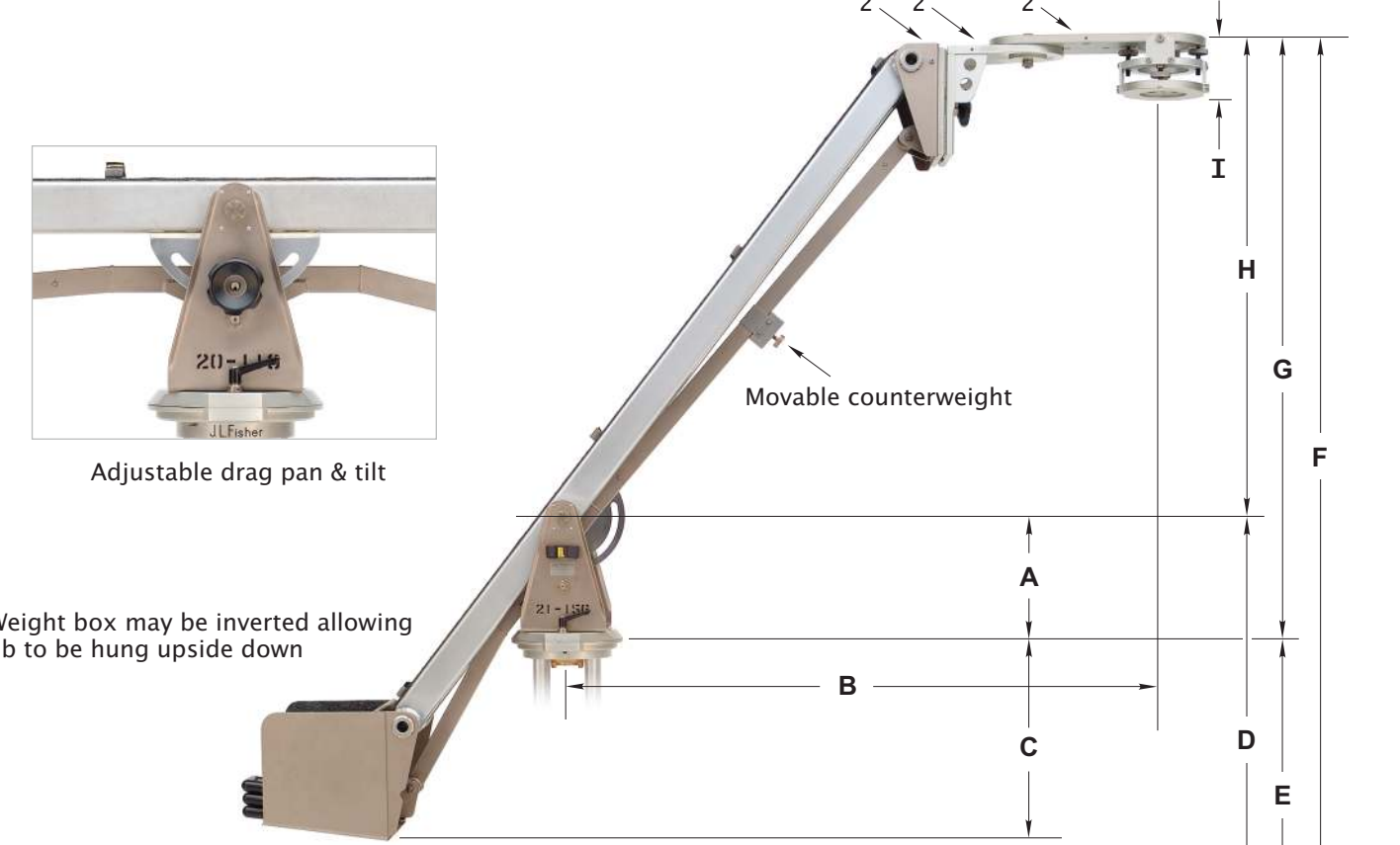


Center Mount (CM) and RJ12 riser shown on Model 10 Dolly

Model 23 Sectional Jib



Model 20, 21 and 22 Jib Arms



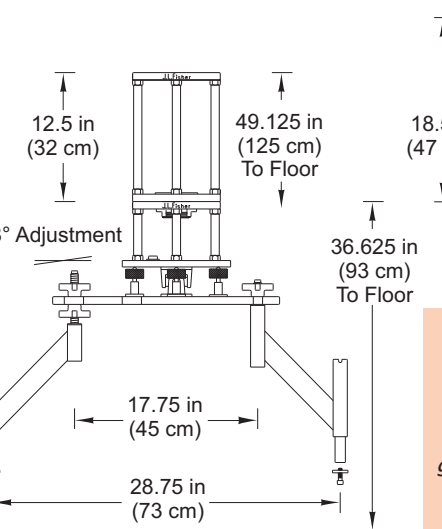
DIMENSIONS

	Model 20	Model 21	Model 22
A	11.5 in (29 cm)	11.5 in (29 cm)	11.5 in (29 cm)
B	3 ft 6.5 in (1.1 m)	4 ft 4 in (1.3 m)	5 ft 11.5 in (1.8 m)
C	11 in (28 cm)	1 ft 4.75 in (43 cm)	2 ft 6 in (76 cm)
D	5 ft 2.25 in (1.6 m)	5 ft 2.25 in (1.6 m)	5 ft 2.25 in (1.6 m)
E	4 ft 2.75 in (1.3 m)	4 ft 2.75 in (1.3 m)	4 ft 2.75 in (1.3 m)
F	7 ft 6 in (2.3 m)	8 ft 6 in (2.6 m)	10 ft 7.9 in (3.3 m)
G	3 ft 3.4 in (1 m)	4 ft 3.9 in (1.3 m)	6 ft 5 in (2 m)
H	2 ft 3.9 in (71 cm)	3 ft 4.4 in (1 m)	5 ft 5.6 in (1.7 m)
I	4.875 in (12 cm)	4.875 in (12 cm)	4.875 in (12 cm)

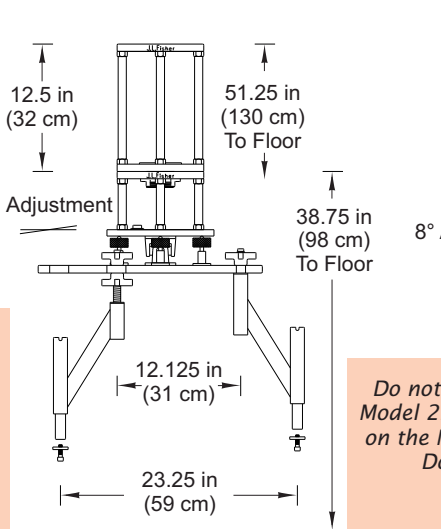
FLOOR LEVEL

All dimensions are taken on a J.L. Fisher Model 10 Dolly with a Center Mount (CM) and a 12 in Riser (RJ12)

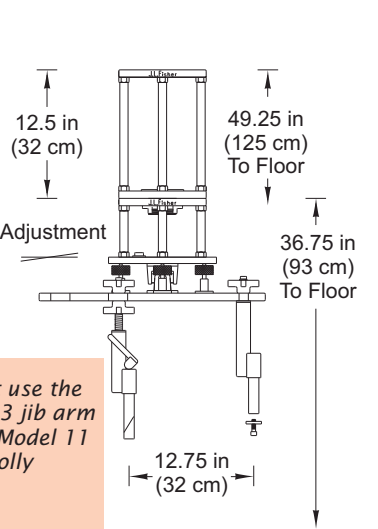
CENTER MOUNT ON 9 DOLLY



CENTER MOUNT ON 10 DOLLY



CENTER MOUNT ON 11 DOLLY



R18 Riser

18 in heavy duty riser (R18) must be used with the Model 23 jib arm. Do not use risers greater than 18 in on the Center Mount.

Do not use the Model 23 jib arm on the Model 11 Dolly

Use the Model 23 jib arm on the Model 9 & 10 Dollies only

Model 20, 21 and 22 Jib Arms share these features:

- Quick Setup
- Weatherproof
- Adjustable Drag Pan & Tilt
- Mitchell mounts
- Ultra Smooth Pan & Tilt
- 4 Position Angle Plate
- Weight carts included
- Front end is submersible
- 12 in Leveling Offset
- Weight box can be inverted
- Movable counterweight
- Balance Ratio 2:1

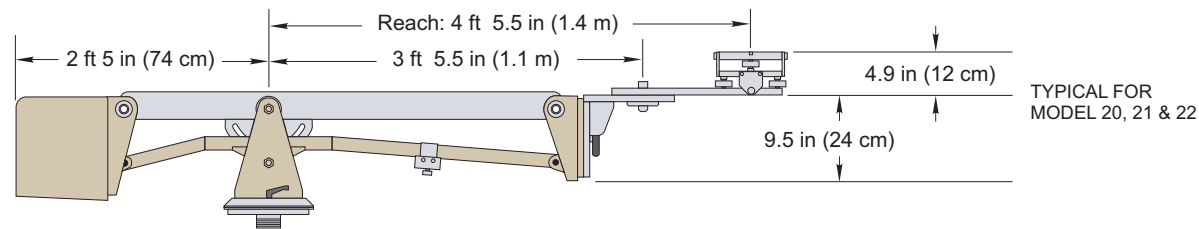


Maximum Payloads are calculated from the center line of the Mitchell mount on the leveling offset (LOF)

Examples of Alternate Mounting Positions

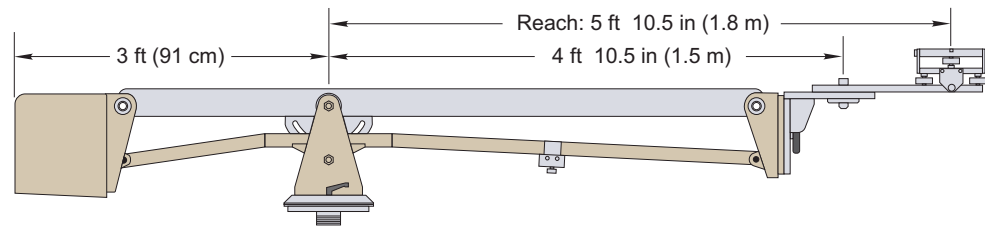
SPECIFICATIONS

Model 20	Max payload (with std. weights) . . . 132 lbs (60 kg)	Max height on 10 Dolly beam 8 ft 6 in (2.6 m)
	Max payload (with acc. weights) . . 184 lbs (83 kg)	Min height on 10 Dolly beam -3 in (-7.6 cm) (below ground level)
	Unladen weight 127 lbs (58 kg)	Max height on 10 Dolly Center Mount . . 8 ft 3 in (2.5 m)
	Compatible with 9, 10 & 11 Dollies	Min height on 10 Dolly Center Mount . . 1 ft 7 in (48 cm)



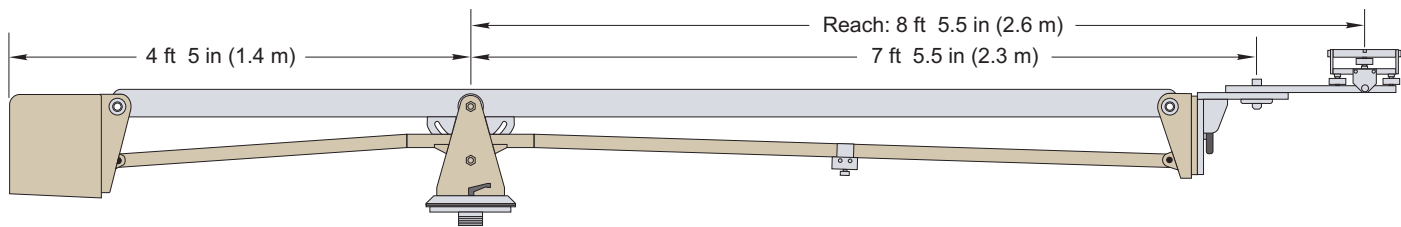
Model 20 on 9 or 10 Dollies with payload over 100 lbs requires Center Mount Using 11 Dolly always requires Center Mount

Model 21	Max payload (with std. weights) . . . 118 lbs (54 kg)	Max height on 10 Dolly beam 9 ft 6 in (2.9 m)
	Max payload (with acc. weights) . . 164 lbs (74 kg)	Min height on 10 Dolly beam -1 ft (-30.5 cm) (below ground level)
	Unladen weight 134 lbs (61 kg)	Max height on 10 Dolly Center Mount . . 9 ft 4 in (2.8 m)
	Compatible with 9, 10 & 11 Dollies	Min height on 10 Dolly Center Mount . . 6 in (15 cm)



Model 21 on 9 or 10 Dollies with payload over 100 lbs requires Center Mount Using 11 Dolly always requires Center Mount

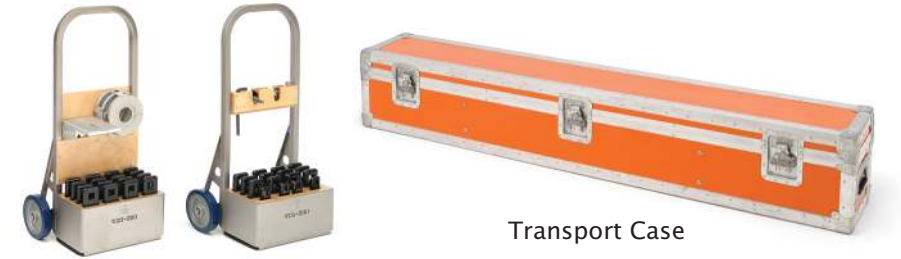
Model 22	Max payload (with std. weights) . . . 124 lbs (56 kg)	Max height on 10 Dolly beam Do Not Use on Dolly beam
	Max payload (with acc. weights) . . 175 lbs (80 kg)	Min height on 10 Dolly beam Do Not Use on Dolly beam
	Unladen weight 161 lbs (73 kg)	Max height on Center Mount 11 ft 5 in (3.5 m)
	Compatible with 9, 10 & 11 Dollies	Min height on Center Mount -1 ft 6 in (-46 cm) (below ground level)



Model 22 on all Dollies requires Center Mount

Model 20, 21 & 22 STANDARD ACCESSORIES

- Leveling 12 in offset
- Angle plate
- Detachable counterweight box
- 27 large poly coated weights, 11.5 lbs each
- 4 small poly coated weights, 3 lbs each
- Plate washer, hand screw and allen wrench
- Riser nut
- Weight carts
- Transport case



Weight and Accessory Carts

Transport Case



Model 22 Jib Arm shown on Model 10 Dolly with Center Mount.

Model 21 Jib Arm shown on Model 9 Dolly

Model 20, 21 & 22 OPTIONAL ACCESSORIES

- 12, 18, 24 or 36 in riser or dropdown
- Additional weights & bar assembly (XRW)
- Mitchell Euro adapter (MEA)
- Mitchell lamp adapter, Junior 1 1/8 in (MLA)
- Weaver Steadman Fluid Heads
- J.L. Fisher Crossarms



Riser or Dropdown from 12 in to 36 in

Weaver Steadman Fluid Heads are available in 2 and 3 axis versions with extension tubes up to 36 in

5K lamp on MLA 1 1/8 in lamp adapter

Additional risers are for use on end of Jib Arms only. Do not use these risers on the Center Mount (CM).



Model 20 Jib arm with CRA4 Crossarm shown on Model 11 Dolly

Weight bar and weights (XRW) add 100 lbs. of counterbalance Not for use on the Model 23 Jib Arm

An optional weight bar and weights to counterbalance the Jib. The weight shaft installs easily and has quick release keepers to hold the weights in place.

J.L. FISHER PRODUCTS ARE PROUDLY MADE IN BURBANK, CALIFORNIA U.S.A.

J.L. Fisher, Inc. Motion Picture & Television Equipment 1000 Isabel Street, Burbank, CA 91506 U.S.A. Tel: (818) 846-8366 / Fax: (818) 846-8699 Web: www.jlfisher.com e-mail: info@jlfisher.com

J.L. Fisher, GmbH Emil-Hoffmann-Str. 55-59 50996 Köln, Germany Tel: +49 2236 3922 0 Fax: +49 2236 3922 12 Web: www.jlfisher.de e-mail: info@jlfisher.de