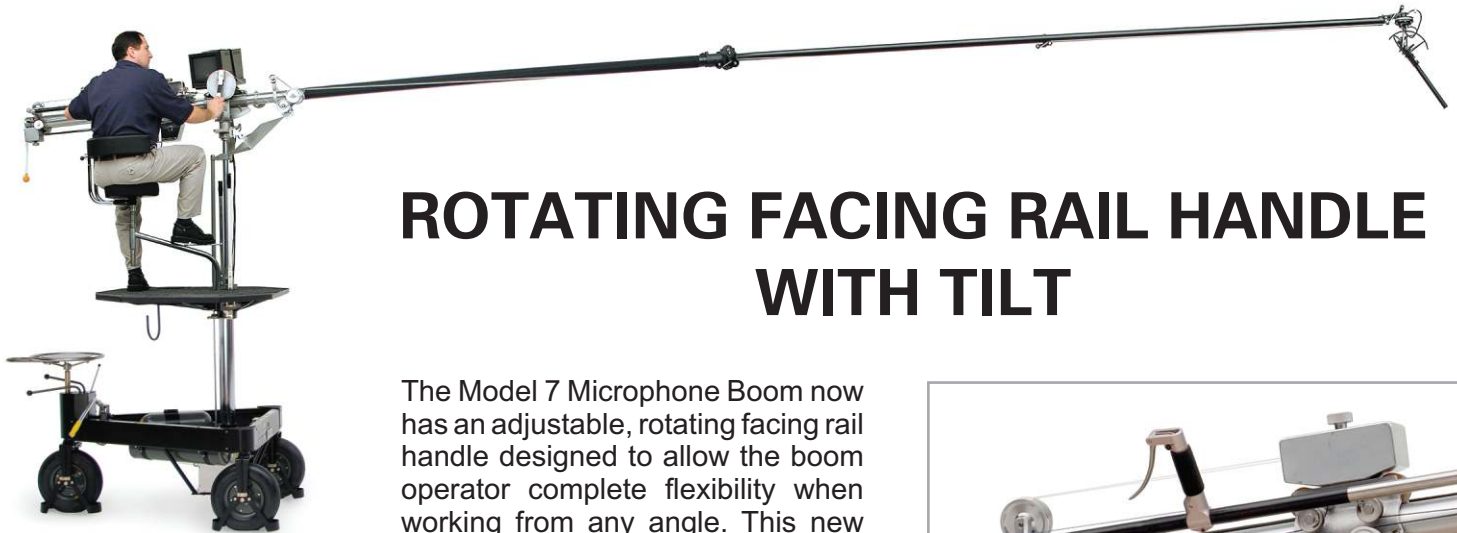


J.L.Fisher

## NEW FEATURES FOR THE MODEL 7 MICROPHONE BOOM

Motion Picture &  
Television Equipment



### ROTATING FACING RAIL HANDLE WITH TILT

The Model 7 Microphone Boom now has an adjustable, rotating facing rail handle designed to allow the boom operator complete flexibility when working from any angle. This new handle rotates 360° and gives the operator a comfortable grip, even when working in the greens. The handle can also be locked by a set-screw when rotation is not desirable.



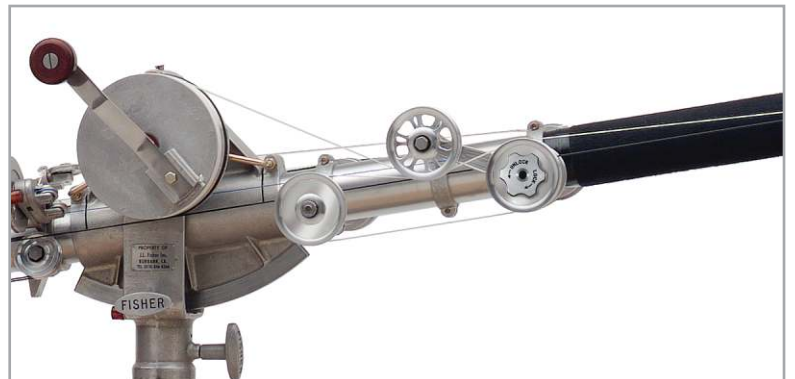
*See page 2 for additional info*

AND

### MICROPHONE HANGER TILT BRAKE WITH EASY ACCESS LOCKING KNOB

The new Tilt Brake is completely re-designed for quicker and more precise microphone response. The locking knob has been relocated and the chain has been eliminated to reduce friction and eliminate drag.

*See page 3 for additional info*



**J.L. FISHER PRODUCTS ARE PROUDLY MADE IN BURBANK, CALIFORNIA U.S.A.**

J.L. Fisher, Inc. Motion Picture & Television Equipment  
1000 Isabel Street, Burbank, CA 91506 U.S.A.  
Tel: (818) 846-8366 / Fax: (818) 846-8699  
Web: [www.jlfisher.com](http://www.jlfisher.com) e-mail: [info@jlfisher.com](mailto:info@jlfisher.com)

J.L. Fisher, GmbH Emil-Hoffmann-Str. 55-59 50996 Köln, Germany  
Tel: +49 2236 3922 0 Fax: +49 2236 3922 12  
Web: [www.jlfisher.de](http://www.jlfisher.de) e-mail: [info@jlfisher.de](mailto:info@jlfisher.de)

Contents © J.L. Fisher, Inc.

Web Document Ver. 1 12.12.2007

# ROTATING FACING RAIL HANDLE WITH TILT

ROTATE HANDLE FOR A COMFORTABLE GRIP AT ANY ANGLE

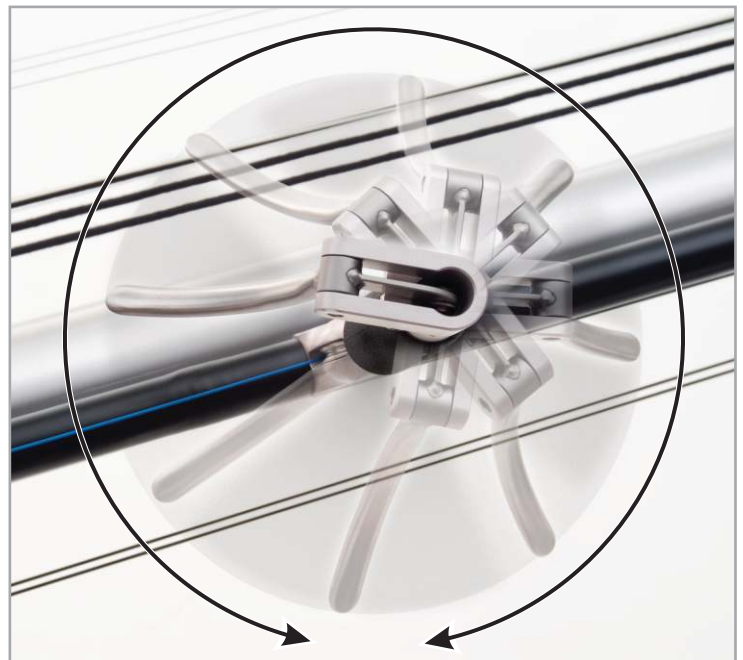
FULL 360° ROTATION



ALLOWS HANDLE TO ROTATE FOR COMFORT



OR, TIGHTEN SETSCREW FOR FIXED POSITION



Full 360° Rotation

The handle can be locked to operate in the same way as the previous handle design. Simply select the operating position and tighten the handle set screw and it will remain in that position.

# MICROPHONE HANGER TILT BRAKE

## WITH EASY ACCESS LOCKING KNOB



- Brake shaft rides on sealed bearings for a smooth microphone return
- New location, easier operation
- Chain removed, reducing friction
- Drag eliminated
- Quicker and more precise microphone response

