

J.L.Fisher

Motion Picture &
Television Equipment

MODEL 11 CAMERA DOLLY

OUR MOST COMPACT HYDRAULIC LIFT DOLLY

The Model 11 is our smallest Dolly. Lightweight and compact, it is built with the same high quality standards found in all J.L. Fisher products. The Model 11 Dolly shares the same controls and characteristics of the Model 10 Dolly and has a complete line of its own accessories. It operates effortlessly on Square or Round Track, making the Model 11 and Model 10 an excellent two dolly combination.

200 LB (91kg) LIFT BEAM CAPACITY



The Model 11 Dolly is engineered and manufactured to meet the demanding production needs of the motion picture, television and video industries. Compact size, three-way steering and a solid lift beam give operators a wide variety of options. The reliable, quiet, smooth and safe Model 11 requires minimal maintenance.

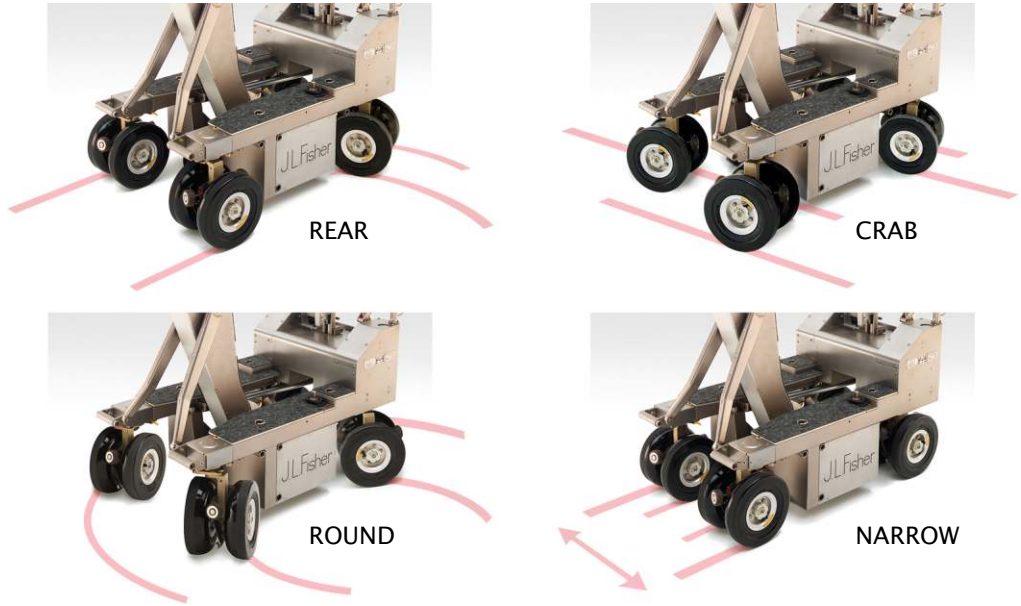
STEERING MODES

REAR (CONVENTIONAL):
Front wheels are locked, rear wheels can rotate 360°.

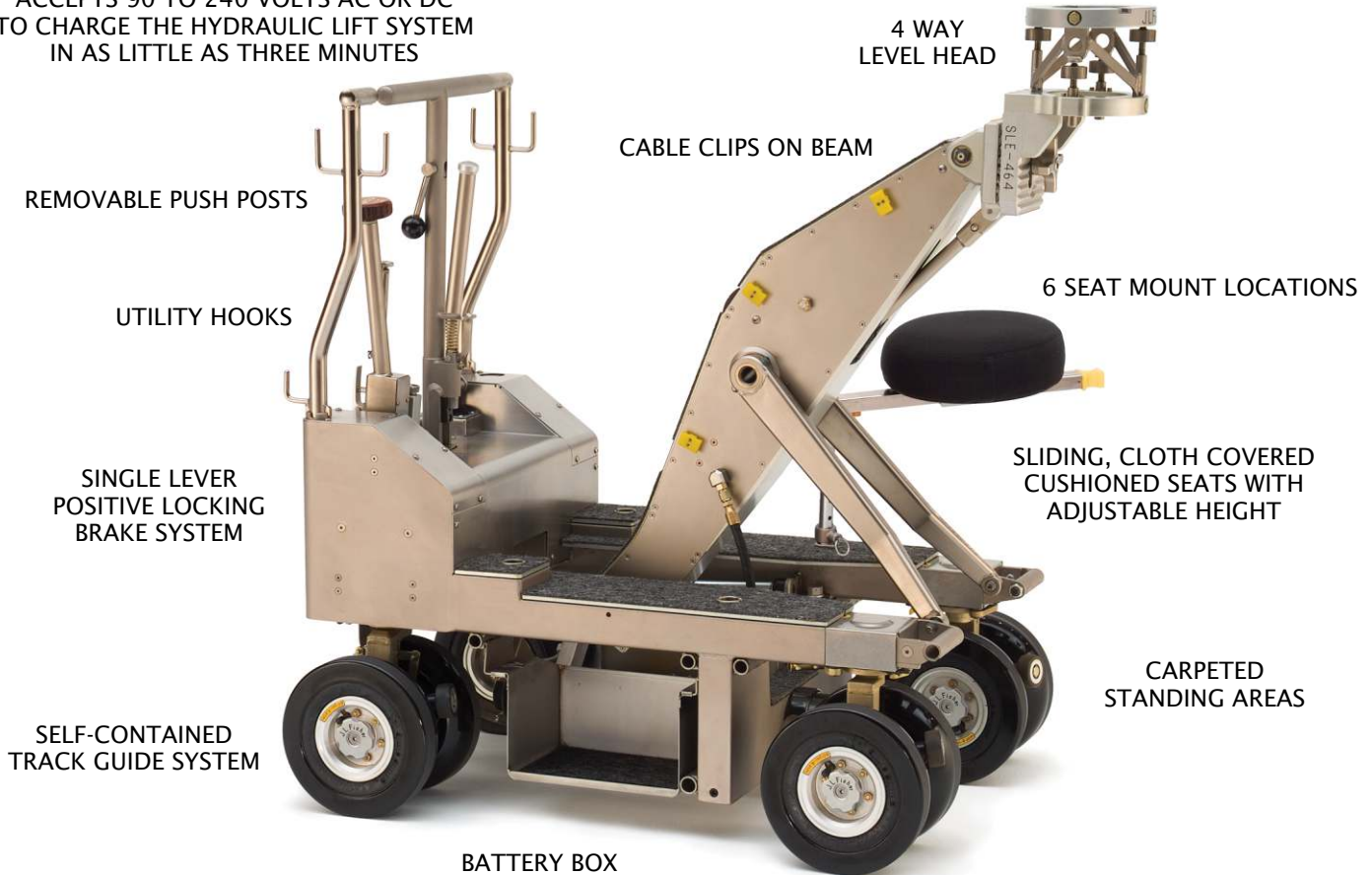
CRAB: Front and rear wheels can rotate in unison 360°.

ROUND: Front and rear wheels rotate independently with mechanical compensation to allow variable radius turns, even down to 0 radius.

NARROW: Front and rear wheels can rotate 180° in any steering mode, providing a narrower wheel track for working in tight spaces.



ACCEPTS 90 TO 240 VOLTS AC OR DC TO CHARGE THE HYDRAULIC LIFT SYSTEM IN AS LITTLE AS THREE MINUTES



PUSH POSTS DOUBLE AS REAR CARRY HANDLES



POSITIVE LOCKING BRAKES



BUILT-IN TRACK GUIDES



MITCHELL MOUNT LEVELING HEAD WITH 4 WAY ADJUSTMENT AND 360° ADJUSTABLE DIAMOND PLATE

LEVELING HEAD CAN BE REVERSED



SEVEN LIFTS PER SYSTEM CHARGE

SELF-BLEEDING HYDRAULIC SYSTEM

200 lb (91 kg) LIFT BEAM CAPACITY

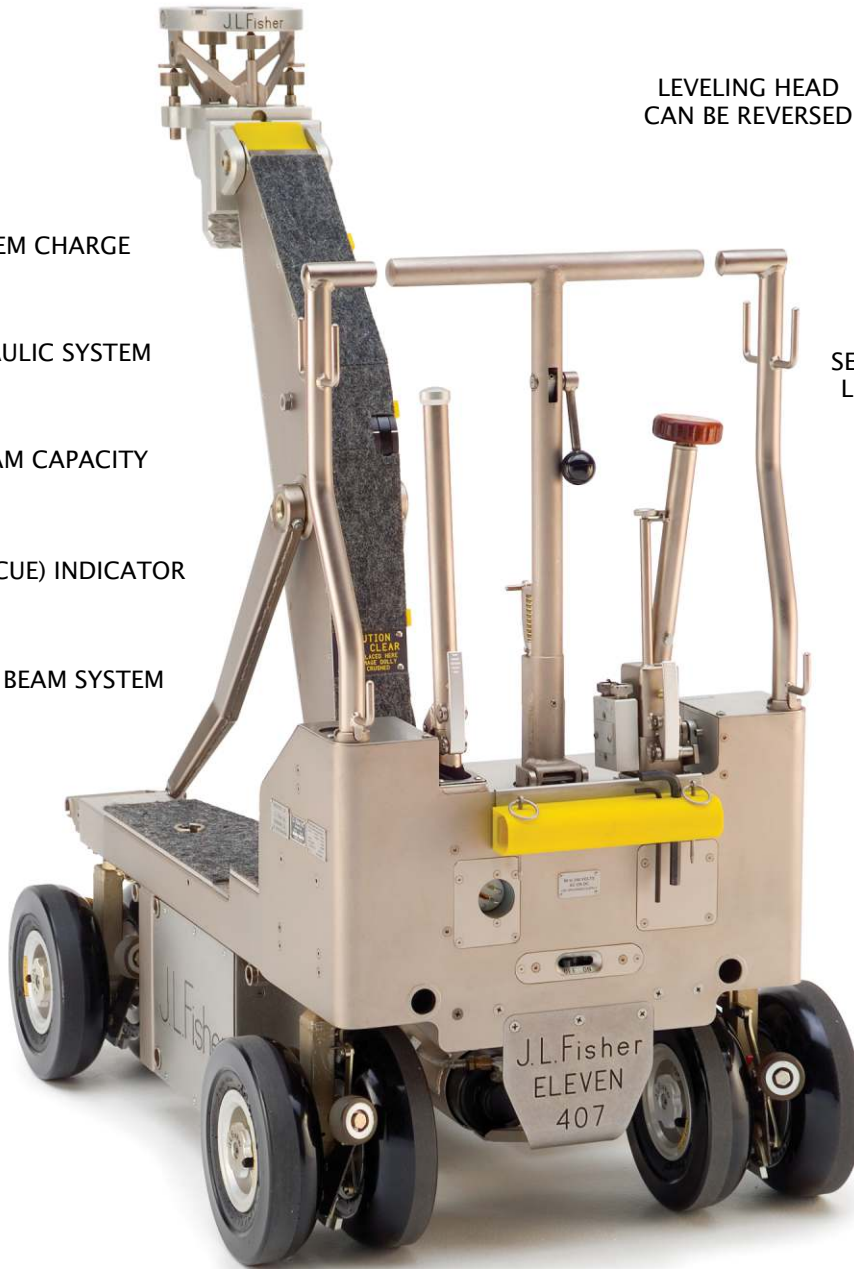
LIFT BEAM POSITION (CUE) INDICATOR

SELF-DAMPENING LIFT BEAM SYSTEM

SELF CENTERING HYDRAULIC LIFT BEAM CONTROL KNOB WITH SAFETY LOCK



HYDRAULIC HAND PUMP FOR LOCATION WORK



PNEUMATIC TIRES

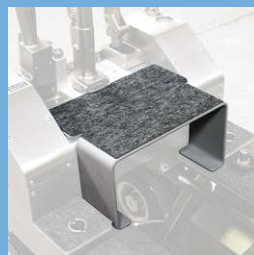
The Model 11 Dolly has a maximum load capacity of 900 lbs. (408 kg)



LIFT BEAM (CUE) INDICATOR



Power Requirements:
90 TO 240 VOLTS AC OR DC



UTILITY TRAY (UTE)

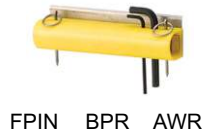
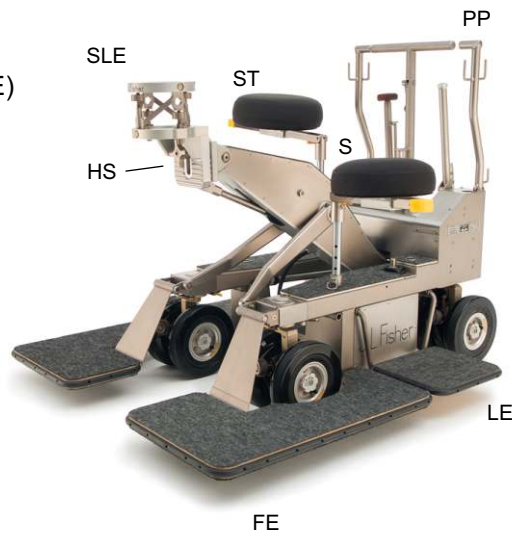


FOLDING CONTROLS

STANDARD RENTAL PACKAGE

The Standard Rental Package includes these items:

- 1 SLE 4-way Level Head
- 1 HS Hand Screw (for SLE)
- 1 ST Small Seat
- 1 S Large Seat
- 2 PP Push Posts
- 2 LE Low Side Boards
- 2 FE Front Boards
- 2 HE High Side Boards
- 2 CH Carry Handles
- 1 PC Power Cord
- 2 FPIN Front Pins
- 1 BPR Knee Bumper
- 2 AWR Allen Wrenches
- 8 TSW Pneumatic Tires
- 1 BRE Battery Box



OPTIONAL ACCESSORIES

*Asterisk indicates items are included in the **FULL RENTAL PACKAGE**

Dolly Boards & Platforms

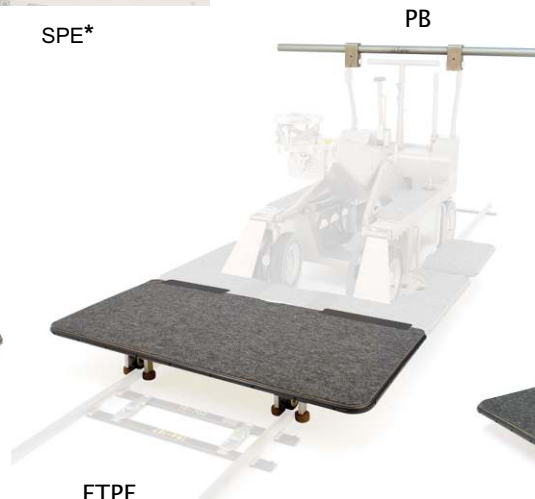
- SPE* Standing Platform
- DEL* Diving Board, Left
- DER* Diving Board, Right
- EFB* Front Board Bridge
- FPE Front Porch
- FTPE Front Track Platform
- LFBE Low Front Board
- PB Push Bar



SPE*

DEL/DER*

EFB*



FPE

FTPE

LFBE

OPTIONAL ACCESSORIES

Risers

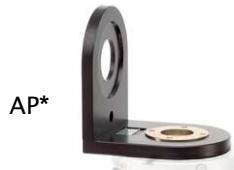
- R3 Camera Riser, 3" (7.6cm)
- R6* Camera Riser, 6" (15.2cm)
- R12* Camera Riser, 12" (30.5cm)
- R6BA Camera Riser w/ 75mm Ball Adapter, 6" (15.2cm)
- R6BB Camera Riser w/ 100mm Ball Adapter, 6" (15.2cm)
- R6BC Camera Riser w/ 150mm Ball Adapter, 6" (15.2cm)
- R12BA Camera Riser w/ 75mm Ball Adapter, 12" (30.5cm)
- R12BB Camera Riser w/ 100mm Ball Adapter, 12" (30.5cm)
- R12BC Camera Riser w/ 150mm Ball Adapter, 12" (30.5cm)
- RJ12 Heavy Duty Camera Riser, 12" (30.5cm)
- RJ18 Heavy Duty Camera Riser, 18" (45.7cm)



Note: R6, R12, U and TH are also available in Heavy Duty versions

Angle Plate

- AP* 90-Degree Camera Angle Plate



Offsets

- U* Camera Offset, 10" (25.4cm)
- TH Camera Offset, 24" (61cm)
- RO* Rotating Offset
- ROB Rotating Offset w/ Ball Adapter, 150mm
- ROL Rotating Offset, Low
- ROHL Rotating Offset, High/Low
- ROX Rotating Offset, Long
- ROP Rotating Offset, Pivot



Adapters

- 75A 75mm Ball Adapter
- 100A 100mm Ball Adapter
- 150A 150mm Ball Adapter
- UA Universal Adapter
- HBA Half-Ball Adapter
- MEA Mitchell Euro Adapter



Low Level Head

- LHE* 4-way Low Level Head
- LHA Low Head Adapter



Seat & Seat Accessories

- RS Rotating Seat
- SOH* Seat Offset High
- SOS Seat Offset Straight
- SSOS Seat Offset Short
- SR6* Seat Riser Adjustable



MORE OPTIONAL ACCESSORIES

Crossarms

- CRA1 Cross Arm, 11.5" (29cm) to 19" (48cm) Reach
- CRA2 Cross Arm, 15" (38cm) to 24" (61cm) Reach
- CRA3 Cross Arm, 18" (46cm) to 29" (74cm) Reach
- CRA4 Cross Arm, 23" (58cm) to 36" (91cm) Reach
- CRA6 Cross Arm, 31" (79cm) to 53" (135cm) Reach



CRA4

Please refer to the Crossarm Brochure or our web site, www.jlfisher.com, for full specifications and options available

Jib Arms

- JIB20* Model 20 Jib Arm, 51.5" (131cm) Reach
- JIB21* Model 21 Jib Arm, 68.5" (174cm) Reach
- JIB22* Model 22 Jib Arm, 99.5" (253cm) Reach



JIB21

* Note: Model 20, 21 and 22 Jib Arms require the use of the Center Mount (CM) and RJ12 Heavy Duty Riser on the Model 11 Dolly

Please refer to the Jib Arm Brochure or our web site, www.jlfisher.com, for full specifications and options available

Fluid Heads

- WS2 Weaver/Steadman Fluid Head, 2 Axis
- WS3 Weaver/Steadman Fluid Head, 3 Axis
- V Vector 700 Fluid Head, 2 Axis



WS2

WS3

V

Other Accessories

- AC* Accessory Carts (pair)
- BAZ Bazooka (Pneumatic or Sectional)
- CHE Short Carry Handles
- CM Center Mount
- CB Cue Board
- HH High Hat
- LA Lamp Adapter
- MRD Monitor Rack
- MLA Mitchell lamp adapter, Junior 1 1/8 in. (MLA)
- PB Push Bar
- SCO Scooter Board
- UDJ Dolly Jack (uses Push Post for handle)
- UTE Utility Tray

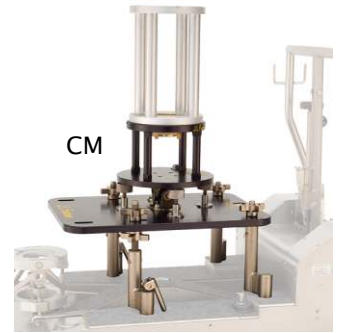
AC* (pair)



BAZ



CHE



CM



CB



HH



LA



MRD



MLA



PB



SCO



UDJ



UTE

Wheels & Ice Skates

- SKE Ice Skates
- ETW Round Track Wheels
- SCWE Soft Compound Wheels
- SWE Soft Wheels
- SBWS Skateboard Wheels



SKE



ETW



SCWE



SWE



SBWS

Patent Pending

Track & Track Accessories

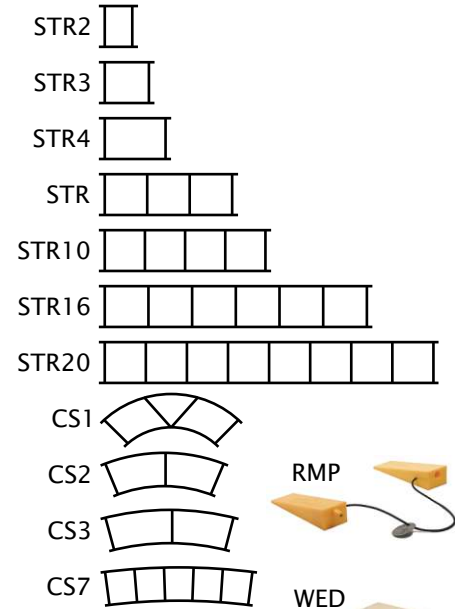
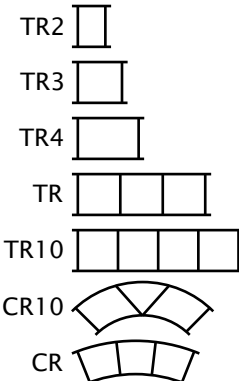
All J.L. Fisher track is on 24.5" (62cm) center

- TR2 Round Straight Track, 2' (.61m)
- TR3 Round Straight Track, 3' (.91m)
- TR4 Round Straight Track, 4' (1.2m)
- TR Round Straight Track, 8' (2.4m)
- TR10 Round Straight Track, 10' (3m)
- CR10 Round Curved Track, 10' (3m) Dia.
- CR Round Curved Track, 20' (6m) Dia.
- STR2 Square Straight Track, 2' (.61m)
- STR3 Square Straight Track, 3' (.91m)
- STR4 Square Straight Track, 4' (1.2m)
- STR Square Straight Track, 8' (2.4m)
- STR10 Square Straight Track, 10' (3m)
- STR16 Square Straight Track, 16' (4.9m)
- STR20 Square Straight Track, 20' (6m)
- CS1 Square Curved Track, 10' (3m) Dia.
- CS2 Square Curved Track, 20' (6m) Dia.
- CS3 Square Curved Track, 30' (9.1m) Dia.
- CS7 Square Curved Track, 70' (21.3m) Dia.
- RMPR Track Ramp For Round Track
- RMP Track Ramp For Square Track
- WED Track Wedges
- TB Track Buckle



1.5" (3.8cm) Dia.

1.5" (3.8cm) Sq.

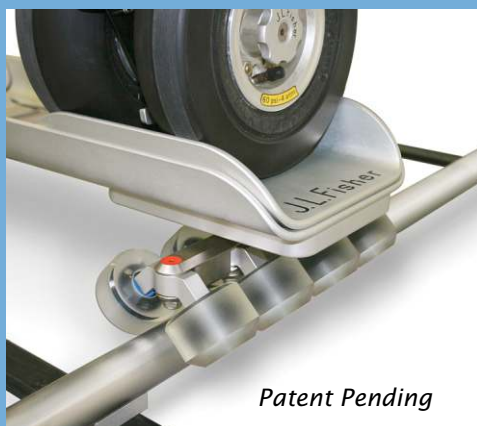


LOW HEAD ADAPTER (LHA)



NEW SKATEBOARD WHEELS (SBWS) (Patent Pending) come with extensions to allow the Model 11 Dolly to be mounted sideways on the wheel frame. Shown here with the extensions in place, the LOW HEAD ADAPTER (LHA) and the LOW LEVEL HEAD (LHE) on Round Straight Track (TR10)

Model 11 Dolly shown using Built-in Track Guides with Rotating Offset (RO), Rotating Seat (RS), Seat Offset High (SOH) on Round Curved Track (CR)



Patent Pending

SKATEBOARD WHEELS (SBWS)



TRACK WHEELS (ETW) ON ROUND STRAIGHT TRACK (TR)

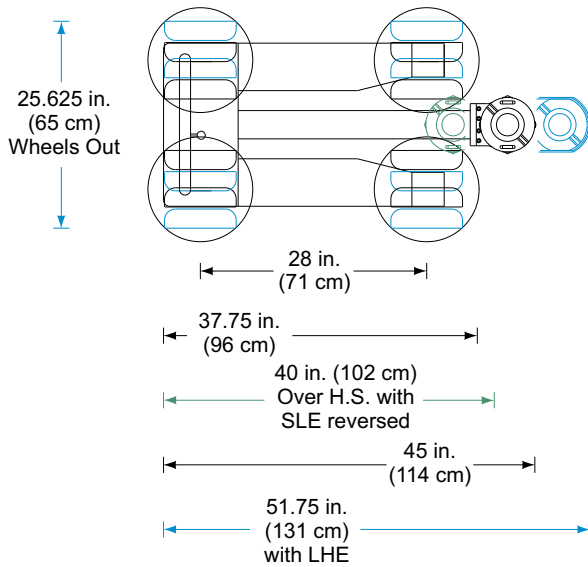


BUILT-IN TRACK GUIDES WORK WITH SQUARE OR ROUND TRACK

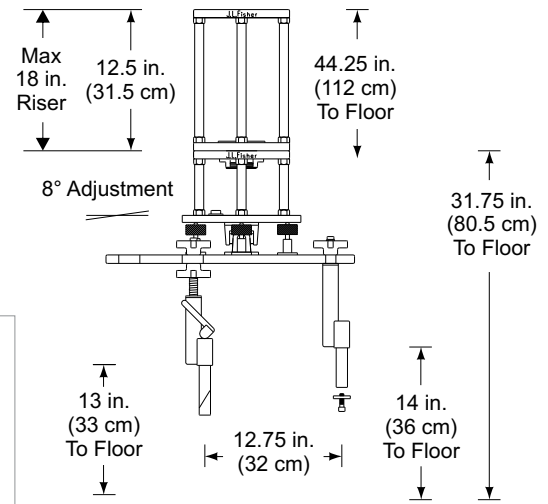


Maximum Lift Beam Elevation	51.25 in. (130 cm)
Minimum Elevation (standard head)	13.875 in. (35 cm)
Minimum Elevation (low level head)	3 in. (8 cm)
Vertical Beam Travel	33.375 in. (85 cm)
Lift Beam Capacity	200 pounds (90.72 kg)
Lifts per System Charge	7
Length	40 in. (102 cm)
Width (wheels in)	20.5 in. (52 cm)
Width (wheels out)	25.625 in. (65 cm)
Height (operating)	39.75 in. (101 cm)
Height (folded)	23.5 in. (60 cm)
Height (center mount, before riser)	36.75 in. (93 cm)
Minimum Turn Radius (round steering)	16.188 in. (41 cm)
Minimum Turn Radius (conventional steering)	33.5 in. (85 cm)
Maximum Dolly Load Capacity	900 pounds (408.23 kg)
Carrying Weight	307 pounds (139.25 kg)
Crated Size	59 in. (150 cm) L x 31 in. (79 cm) W x 34 in. (86 cm) H
Crated Weight	775 pounds (351.5 kg) (standard package)

DIMENSIONS



Note: Due to variables such as adjustments and choice of risers, wheels, etc., these dimensions are approximate.

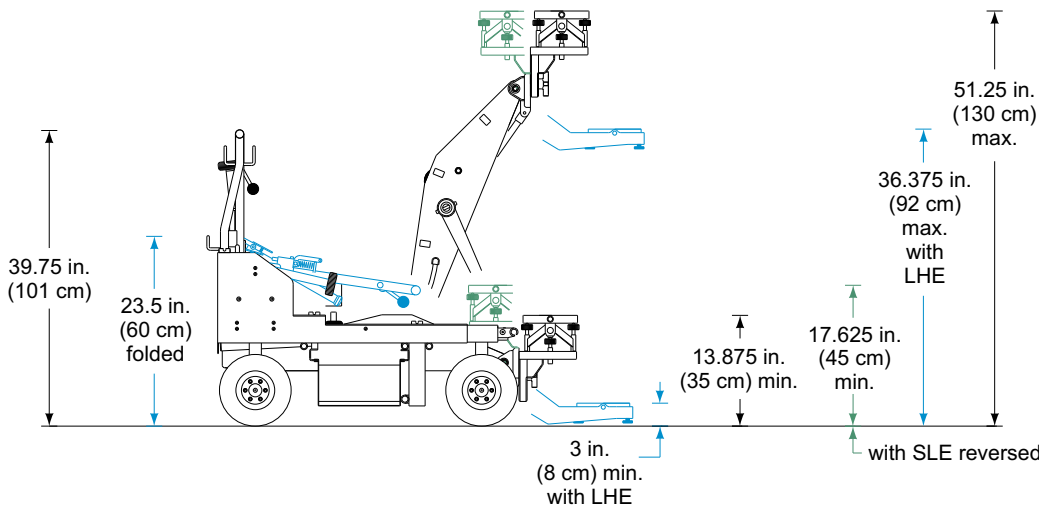


CENTER MOUNT (CM)

The Center Mount (CM), supports jib arms, lightweight camera booms and counterbalanced camera cranes. The Center Mount has thumbscrews for four-way leveling adjustment and a leveling indicator. Easily installed, the Center Mount has a standard Mitchell mount and comes with a heavy duty 12-inch Riser (R12).

The maximum gross load capacity of the Model 11 Dolly is 900 pounds (408 kg). Center Mount is not for supporting personnel or personnel carrying cranes.

MODEL 11 DOLLY



FOLDING CONTROLS

J.L. FISHER PRODUCTS ARE PROUDLY MADE IN BURBANK, CALIFORNIA U.S.A.

J.L. Fisher, Inc. Motion Picture & Television Equipment
 1000 W. Isabel Street, Burbank, CA 91506 U.S.A.
 Tel: (818) 846-8366 / Fax: (818) 846-8699
 Web: www.jlfisher.com e-mail: info@jlfisher.com

J.L. Fisher, GmbH Emil-Hoffmann-Str. 55-59 50996 Köln, Germany
 Tel: +49 2236 3922 0 Fax: +49 2236 3922 12
 Web: www.jlfisher.de e-mail: info@jlfisher.de